

Cleated Belt Conveyor

GRAINWAY



Perfect when conveyor needs to be at a steep incline (25° to 40°).

Drive roller is 6 1/2 inches in diameter

Tail roller is 6 inches in diameter

Belt is 18 inches wide

Belt glides on a smooth steel surface

14 inch cleats in center of belt

Cleats are 6 inches apart and are 2 inches high

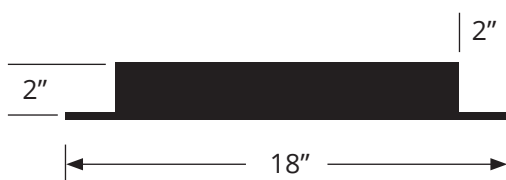
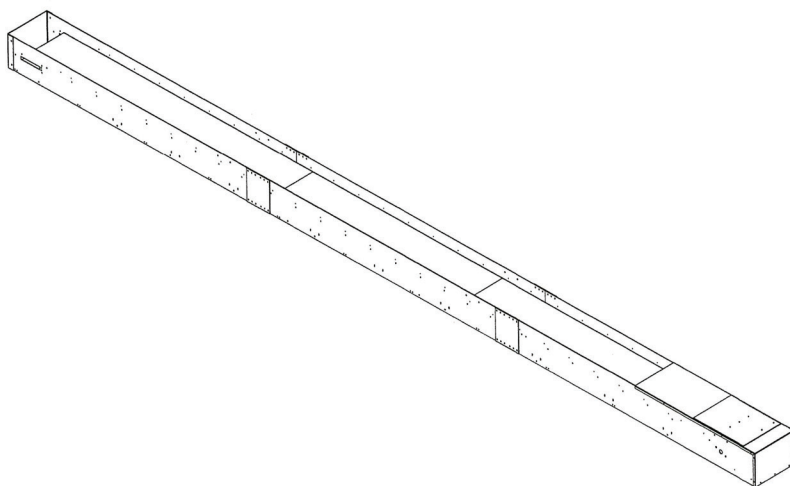
Conveyor is 19 inches wide and side walls are 14 inches high

Conveyor length up to 60 feet

Will do custom lengths

Perfect for grain, oil seeds, vegetables and nuts

Capacity was done in bushels with one bushel equal to 58 pounds



Incline of Conveyor

	Belt Speed 396 ft/min	Belt Speed 297 ft/min	Belt Speed 234 ft/min	Belt Speed 199 ft/min
25°	3613 bu/hr	2679 bu/hr	2090 bu/hr	1762 bu/hr
30°	3131 bu/hr	2323 bu/hr	1809 bu/hr	1523 bu/hr
35°	2679 bu/hr	1984 bu/hr	1542 bu/hr	1297 bu/hr
40°	2228 bu/hr	1646 bu/hr	1276 bu/hr	1070 bu/hr

Horse Power Needed

		Capacity in Bushels							
		3613	2679	2323	2090	1762	1542	1276	1070
Conveyor Length	60'	5	5	5	5	5	5	3	3
	50'	5	5	5	5	5	5	3	3
	40'	5	5	5	5	5	5	3	3
	30'	5	5	5	3	3	3	3	3
	20'	3	3	3	3	3	3	3	3
	10'	3	3	3	3	3	3	3	3

Conveyor has a side mount reducer drive system.
Horse power requirements are low.